

R-7000
R-7001
R-7002
R-7003

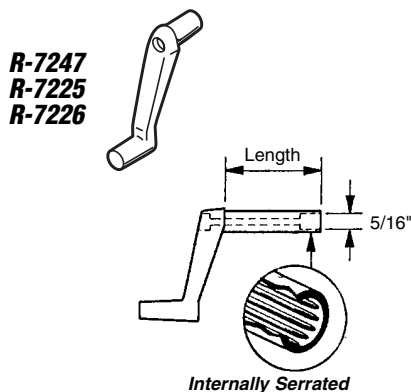
Internally Serrated

R-7000 (13/16" stem length)
R-7001 (1-3/4" stem length)
R-7002 (2-1/8" stem length)
R-7003 (3-1/8" stem length)

Handle

Contents: 2 handles; 2 installation screws.

Description: **Brown plastic** crank; internally serrated to fit 5/16" spindle; used on crank-out windows.



R-7247
R-7225
R-7226

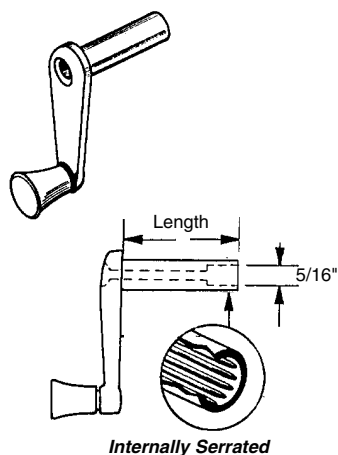
Internally Serrated

R-7247 (1/4" stem length)
R-7225 (3/4" stem length)
R-7226 (1-3/4" stem length)

Handle

Contents: 2 handles; 2 installation screws.

Description: **Diecast** crank; internally serrated to fit 5/16" spindle; used on crank-out windows.



R-7090
R-7007
R-7009

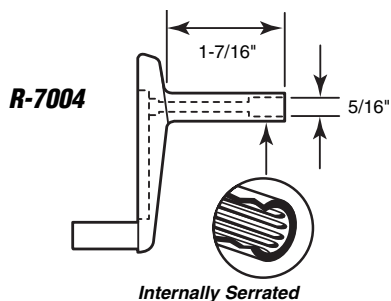
Internally Serrated

R-7090 (1/2" stem length)
R-7007 (1" stem length)
R-7009 (1-1/4" stem length)

Handle

Contents: 2 handles; 2 installation screws.

Description: **Diecast** crank and swivel knob; internally serrated to fit 5/16" spindle; used on crank-out windows.



R-7004

Internally Serrated

R-7004

Handle

Contents: 2 handles; 2 installation screws.

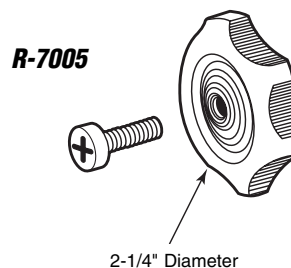
Description: **Beige plastic** crank; internally serrated to fit 5/16" spindle; fits on crank-out windows or top vents by **Hehr**.

R-7005

Handle

Contents: 2 handles; 2 no. 8-32 x 5/8" Phillips pan head machine screws.

Description: Heavy-duty plastic knob; 1/4" shank; internally serrated to fit 5/16" spindle; used on top vents or sun roofs.

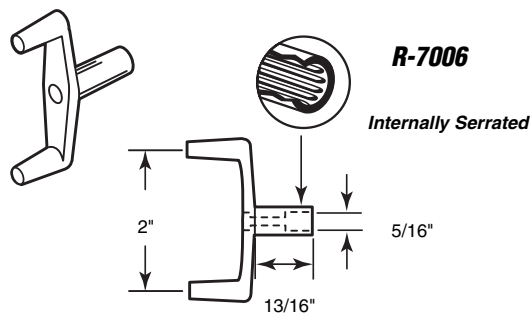


R-7006

Handle

Contents: 2 handles; 2 no. 8-32 x 1" slotted Fillister head machine screws.

Description: Dual-grip, white nylon crank handle; internally serrated to fit 5/16" spindle; used on crank-out windows and roof vents.

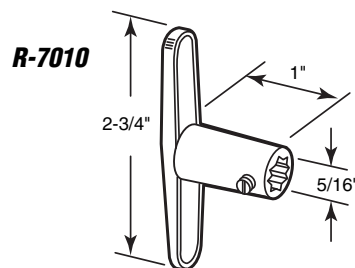


R-7010

Handle

Contents: 2 handles with set screws.

Description: Diecast crank handle; heavy-duty construction; internally serrated to fit 5/16" spindle; used on crank-out windows or roof vents.

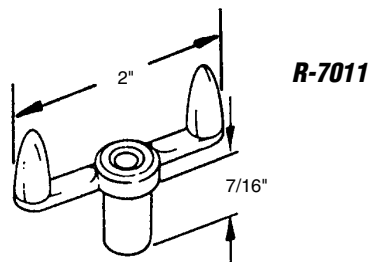


R-7011

Handle

Contents: 2 handles; 2 no. 8-32 x 5/8" Phillips pan head machine screws.

Description: Dual-grip, diecast crank handle; internally serrated to fit 5/16" spindle; used on crank-out windows.



R-7012 (7/8" long)

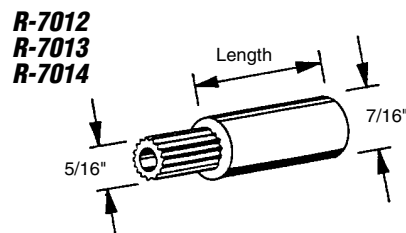
R-7013 (1-1/8" long)

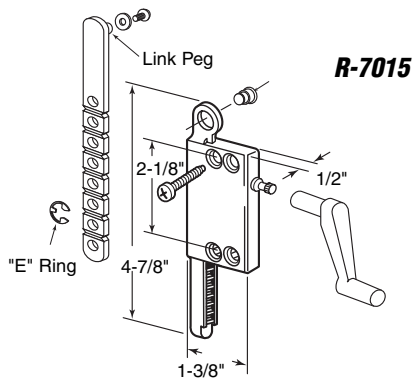
R-7014 (2" long)

Handle Extension

Contents: 2 extensions with screws.

Description: Diecast extenders; serrated both internally and externally for 5/16" spindle applications; for use with crank-out window and roof vent handles.





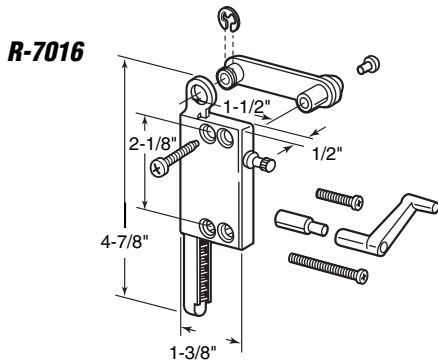
R-7015

R-7015

Awning or Louvre Window Operator

Contents: 1 operator; 1 extension arm; 1 crank handle; 1 set of installation hardware.

Description: Diecast rack operator; adjustable break-off link extension arm for universal application; 5/16" spindle size; used on either left or right handed windows; **side mount**.



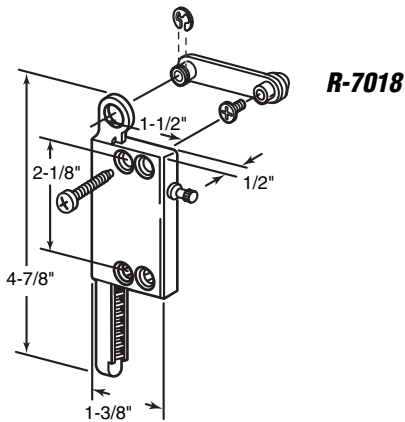
R-7016

R-7016

Louvre Window Operator

Contents: 1 operator; 1 crank handle; 1 link assembly; 1 crank handle extension; 1 set of installation hardware.

Description: Diecast rack operator, gear link and shaft extension; 5/16" spindle size; used on either left or right handed windows; **side mount**.



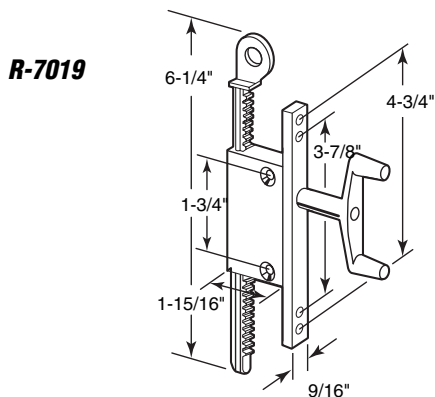
R-7018

R-7018

Louvre Window Operator

Contents: 1 operator; 1 link assembly; 1 set of installation hardware.

Description: Diecast rack operator and attachment link; 5/16" spindle size; can be used on either left or right handed windows; **side mount**.



R-7019

R-7019

Louvre Window Operator

Contents: 1 operator; 1 crank handle; 1 set of installation screws.

Description: Diecast rack operator; 5/16" spindle size; **plastic** dual-grip crank handle; **face mounted**; non-handed.

Call for Availability

R-7020 (Left hand)

R-7021 (Right hand)

Slant Sill Operator

Contents: 1 operator; 1 set of installation screws.

Description: Diecast operator; used on either awning or louvre windows; side mount for slanted sill.

Note: Hand determined from inside of window looking out.

R-7022 (Left hand)

R-7023 (Right hand)

Slant Sill "Mini" Operator

Contents: 1 operator; 1 set of installation screws.

Description: Diecast operator; used on either awning or louvre windows; "mini size"; side mount for slanted sill.

Note: Hand determined from inside of window looking out.

R-7024 (Left hand)

R-7025 (Right hand)

Torque Operator

Contents: 1 operator; 1 set of installation screws.

Description: Diecast operator; used on either awning or louvre windows; side mount.

Note: Hand determined from inside of window looking out.

R-7026 (Left hand)

R-7027 (Right hand)

Torque Operator

Contents: 1 operator; 1 set of installation screws.

Description: Diecast operator; used on either awning or louvre windows; side mount.

Note: Hand determined from inside of window looking out.

R-7259 (Left hand)

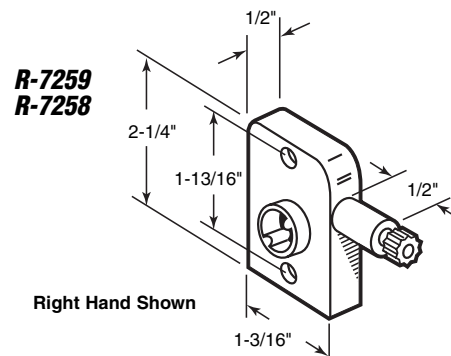
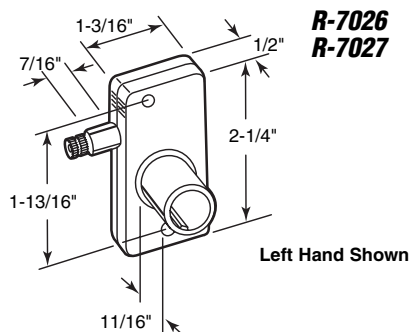
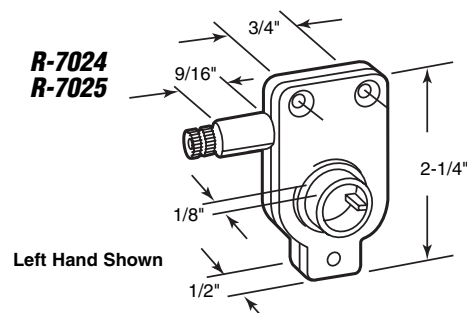
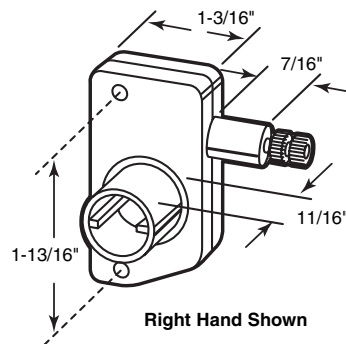
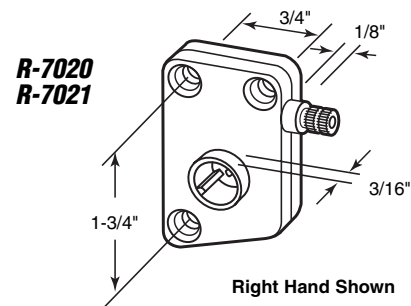
R-7258 (Right hand)

Torque Operator

Contents: 1 operator; 1 set of installation screws.

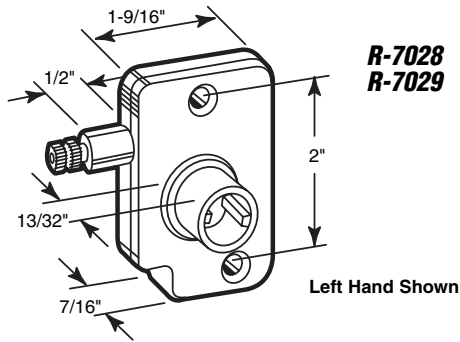
Description: Diecast operator; used on either awning or louvre windows; side mount; used by *Sun Valley* and others.

Note: Hand determined from inside of window looking out.



Call for
Availability

Call for
Availability



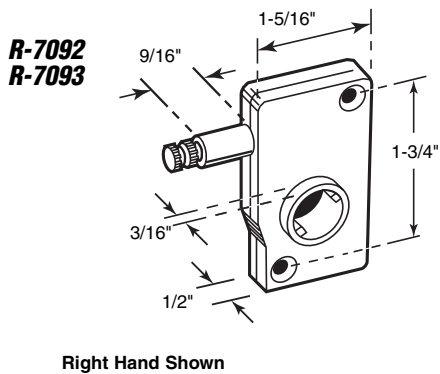
R-7028 (Left hand)
R-7029 (Right hand)

Torque Operator

Contents: 1 operator; 1 set of installation screws.

Description: Diecast operator; used on either awning or louvre windows; side mount.

Note: Hand determined from inside of window looking out.



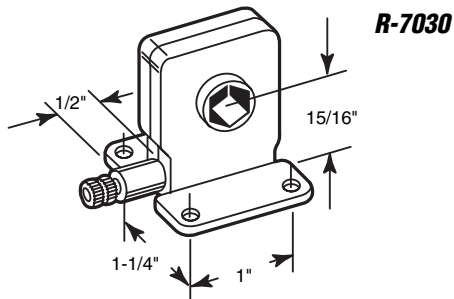
R-7092 (Left hand)
R-7093 (Right hand)

Torque Operator

Contents: 1 operator; 1 set of installation screws.

Description: Diecast operator; used on either awning or louvre windows; side mount.

Note: Hand determined from inside of window looking out.

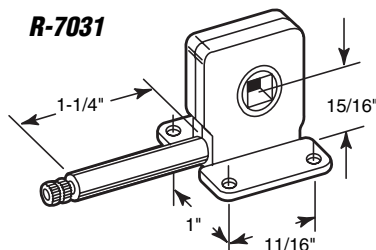


R-7030

Torque Operator

Contents: 1 operator; 1 set of installation screws.

Description: Diecast operator; 3/8" hex socket; center mount; used on either awning or louvre style windows.



R-7031

Torque Operator

Contents: 1 operator; 1 set of installation screws.

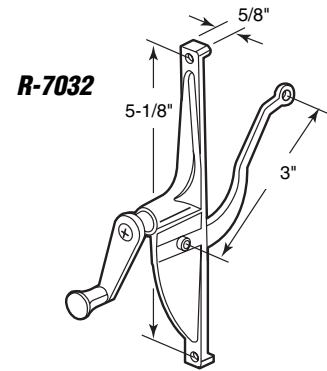
Description: Diecast operator; 5/16" square socket; center mount; used on either awning or louvre windows.

R-7032

Awning Window or Roof Vent Operator

Contents: 1 operator; 1 crank handle; 1 set of installation screws.

Description: Diecast operator and crank handle; steel arm; zinc-plated; non-handed; used on 6" standard vent windows.



R-7035 (4" arm length)

R-7036 (5" arm length)

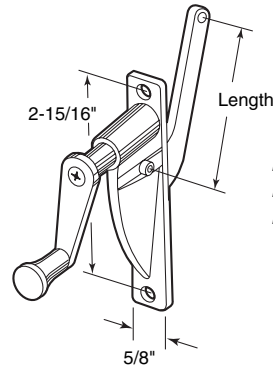
R-7037 (7-5/8" arm length)

Awning Window or Roof Vent Operator

Contents: 1 operator; 1 crank handle; 1 set of installation screws.

Description: Diecast operator and crank handle; zinc-plated; check specific arm length required.

Note: R-7035 requires no. R-7041 operator button.



**R-7035
R-7036
R-7037**

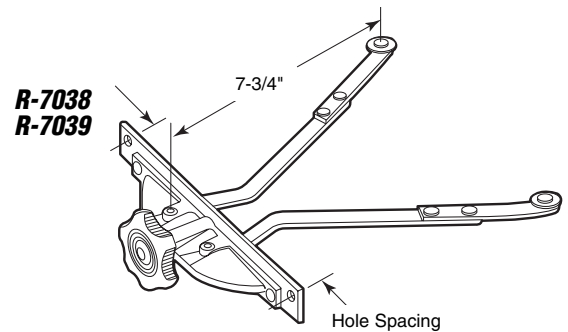
R-7038 (5-7/8" hole spacing)

R-7039 (4-13/16" hole spacing)

Sun Roof Vent Operator

Contents: 1 operator with extension arms; 1 crank knob; 1 set of installation screws.

Description: Diecast operator; steel arms; zinc plated; plastic crank handle; operator housing is available with two different hole spacings.



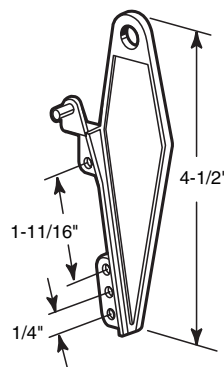
**R-7038
R-7039**

R-7040

Pivot Brackets

Contents: 1 left hand bracket; 1 right hand bracket.

Description: Diecast pivot brackets link the operator moving arm to the louvre window clip arm; adjustable; used on Phillips windows.



R-7040

Left Hand Shown

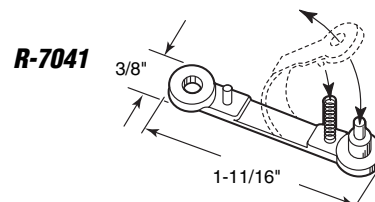
R-7041

Roof Vent Operator Button

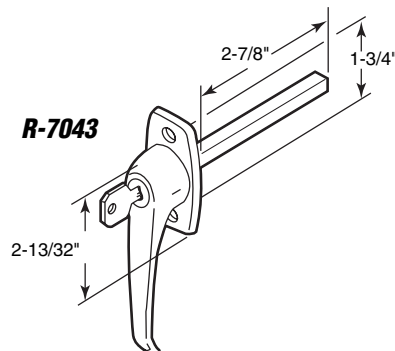
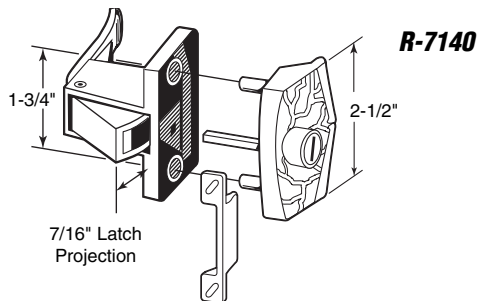
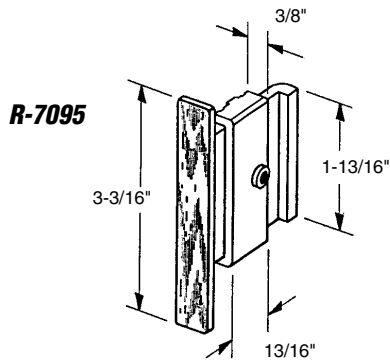
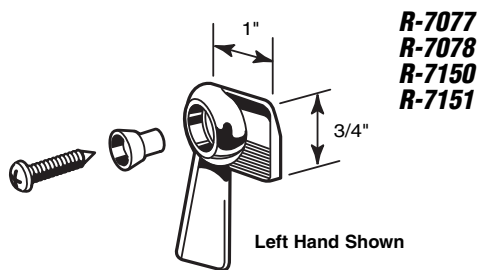
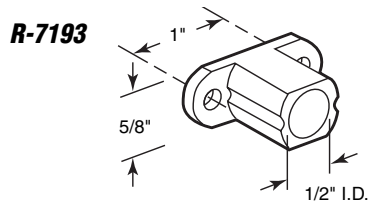
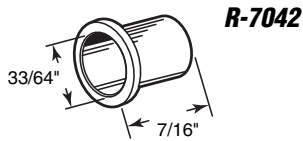
Contents: 2 buttons; 2 springs.

Description: Plastic roof vent attachment button; snaps onto end of operator arm and attaching unit; used by Hehr and others.

Note: Use with no. R-7035 operator.



R-7041



R-7042

Torque Bar Bushing

Contents: 2 bushings.

Description: Nylon bushing; accepts a 1/2" drive rod; used in conjunction with a variety of torque operators.

R-7193

Torque Bar Bushing

Contents: 2 bushings; 2 sets of installation screws.

Description: Nylon bushing; accepts a 1/2" drive rod; used in conjunction with a variety of torque operators.

R-7077

(Left hand - chrome finish)

R-7078 (Right hand - chrome finish)

R-7150 (Left hand - black finish)

R-7151 (Right hand - black finish)

Sliding Window Sash Lock

Contents: 2 locks; 2 bushings; 2 installation screws.

Description: Diecast lock; nylon bushing; no keeper required; lock engages fixed rail of window to hold vent shut.

R-7095

Sliding Window Latch and Pull

Contents: 1 latch assembly.

Description: White nylon with wood grain feature strip; spring loaded; self-latching; used on *Phillips* RV windows.

R-7140

(Antique brass finish)

Privacy Latch

Contents: 1 inside latch and pull; 1 outside pull; 1 pushbutton spindle; 1 strike, 1 set of installation screws.

Description: Diecast assembly; plastic pushbutton; interior lock button for privacy; use screwdriver in exterior pushbutton to override; fits 1/2" to 1" thick interior RV doors.

R-7043

(Chrome finish)

Locking Handle (Non-handed)

Contents: 1 locking handle; 2 keys; 1 set of installation screws.

Description: Diecast construction; 1-3/4" hole centers; 5/16" square spindle; hardened steel shaft; 90° rotation.

You may wish to stock these related parts: **R-7045**, **R-7046**, **R-7047**.

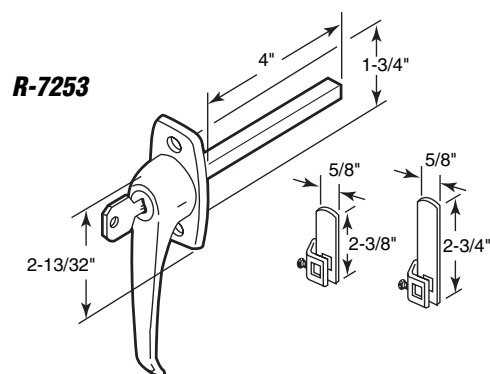
R-7253 (Non-handed)

Locking Handle (Chrome finish)

Contents: 1 locking handle; 2 keys; 2 cam locks; 1 set of installation screws.

Description: Diecast construction; **1-3/4" hole centers**; 5/16" square spindle; hardened **steel** shaft; used as a compartment lock and handle.

You may wish to stock these related parts: **R-7047**.



R-7044 (Chrome finish - 2-7/8" spindle length)

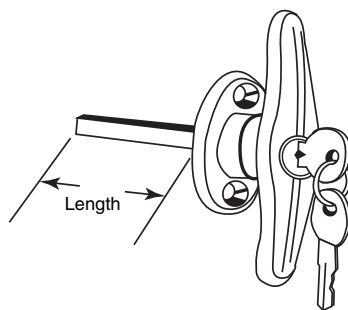
R-7197 (Black finish - 2" spindle length)

Locking Handle

Contents: 1 locking handle; 2 keys; 1 set of installation screws.

Description: Diecast construction; 5/16" square spindle; hardened **steel** shaft; **1-1/2" hole centers**; used as a compartment lock and handle.

You may wish to stock these related parts: **R-7045**, **R-7046**, **R-7047**.



R-7044
R-7197

R-7045 (2-3/8" latch length)

R-7046 (2-3/4" latch length)

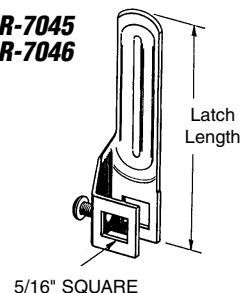
Cam Lock

Contents: 1 cam lock with set screws.

Description: **Zinc plated steel**; accepts a 5/16" square spindle.

You may wish to stock these related parts: **R-7043**, **R-7044**.

R-7045
R-7046



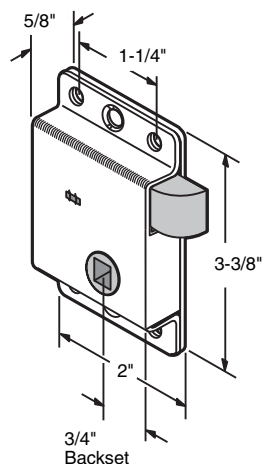
R-7262

Latch Assembly

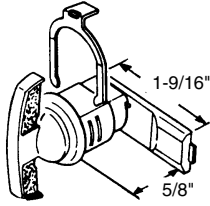
Contents: 1 latch.

Description: **Stamped steel** housing; **diecast** latch parts; surface mount; **zinc plated**; surface mounted interior latching mechanism for cabinet or compartment doors.

You may wish to stock these related parts: **R-7043**, **R-7044**, **R-7045**, **R-7046**.



R-7262



R-7074

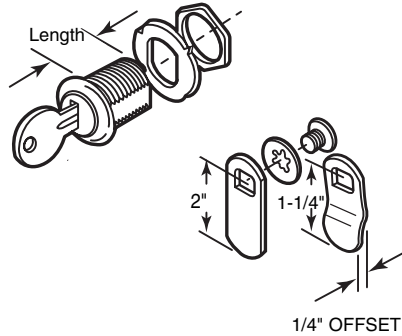
R-7074

Compartment Latch

Contents: 1 latch assembly; 1 holding clip.

Description: Diecast thumbturn and latch assembly; spring steel clip; zinc plated; requires a 3/4" hole for installation.

**R-7075
R-7252
R-7251**



R-7075 (5/8" cylinder length)

R-7252 (7/8" cylinder length)

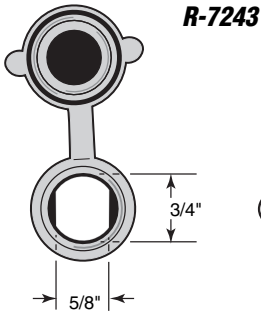
R-7251 (1-1/8" cylinder length)

Cylinder Lock - Keyed

Contents: 1 lock cylinder; 2 keys; 1 flush cam; 1 offset cam; 1 set of installation hardware.

Description: Zinc plated steel and diecast components; cylinder requires a 3/4" hole for installation; frequently used to secure RV compartments and tool cabinets.

You may wish to stock these related parts: **R-7243**.



R-7243

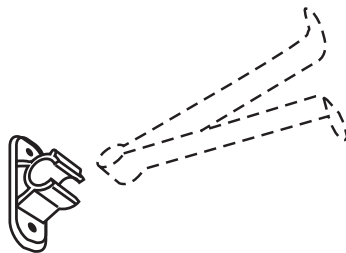
R-7243

Cylinder Lock Dust Cover

Contents: 2 lock covers.

Description: Black flexible rubber; prevents dust and dirt particles from entering key cylinder locks; extends lock life and reduces replacement costs; accommodates 3/4" diameter face plates.

R-7189



R-7189

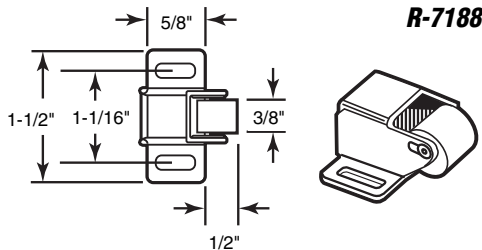
Screen Door Holder Catch

Call for Availability

Contents: 1 door catch; 1 set of installation screws.

Description: Nylon catch; used with latching rod shown; holds door in the "open" position.

Note: Holder Rod not included.



R-7188

R-7188

Screen Door Roller Catch

Contents: 1 screen door catch with 2 mounting screws.

Description: Zinc plated steel roller housing; spring loaded, gray vinyl roller; mounts to handle side of aluminum screen door, holds door in "closed" position.

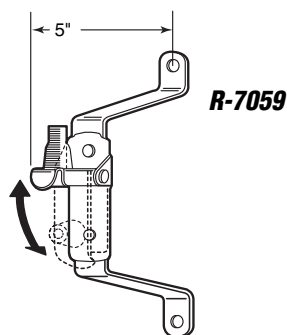
R-7059 (5" projection)

Door Holder

Call for Availability

Contents: 1 holder assembly with **rubber** bumper.

Description: **Cadmium plated steel**; spring loaded catch arm; holds door open when engaged into strike (in the up position); catch arm serves as a door bumper (in the down position).



R-7060 (2" projection)

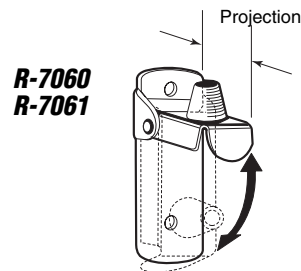
R-7061 (6" projection)

Door Holder

Call for Availability

Contents: 1 holder assembly with **rubber** bumper.

Description: **Cadmium plated steel**; spring loaded catch arm; holds door open when engaged into strike (in the up position); catch arm serves as a door bumper (in the down position).



R-7062

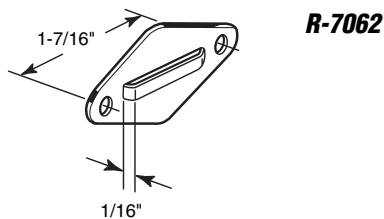
Door Holder Catch

Call for Availability

Contents: 1 catch plate.

Description: **Cadmium plated steel**; mounts on door to accept door holder and holds door in the "open" position.

You may wish to stock these related parts: **R-7059**, **R-7060**, **R-7061**.

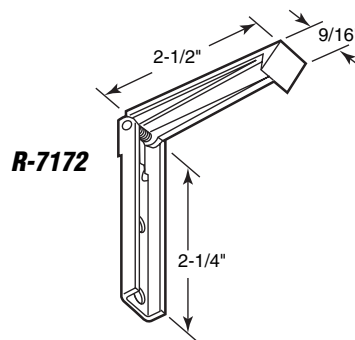


R-7172

Compartment Door Catch

Contents: 1 door catch with mounting screws.

Description: **Zinc plated steel** holds door in "open" position; used on cabinet and lift-up compartment doors.



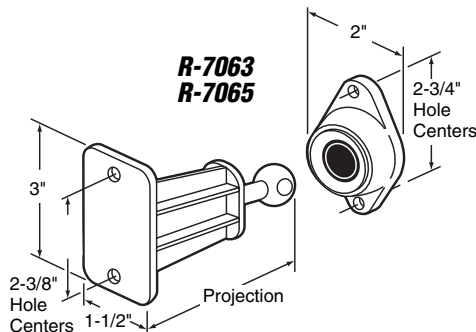
R-7063 (3" arm projection)

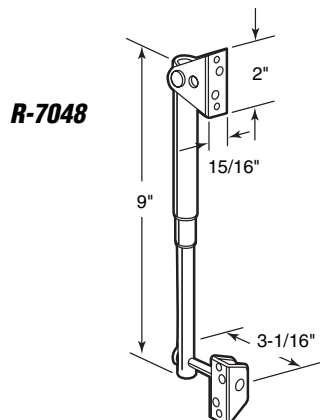
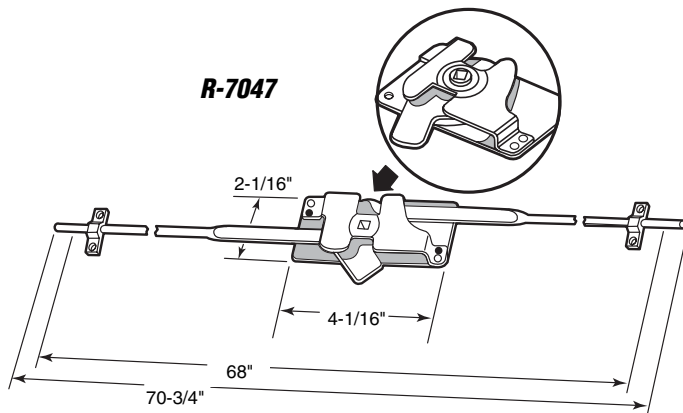
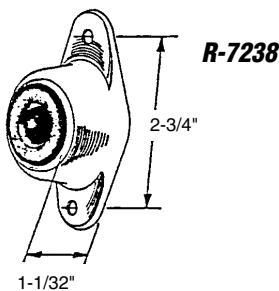
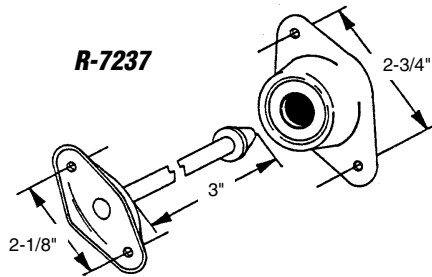
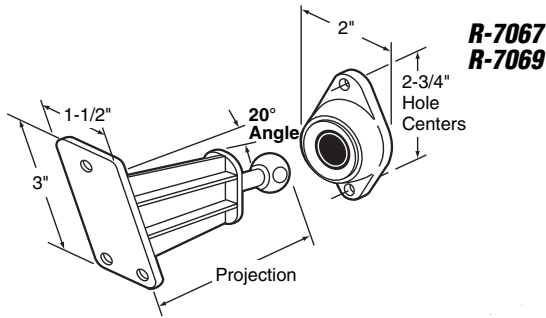
R-7065 (4-3/4" arm projection)

Door Holder Rod and Retainer (Colonial white)

Contents: 1 rod; 1 retainer with **rubber** insert.

Description: **Heavy-duty plastic** construction; **straight arm rod**; retainer accepts holder rod to secure door in the "open" position.





R-7067 (3" arm projection)
R-7069 (4-3/4" arm projection)

Door Holder Rod and Retainer (Colonial white)

Contents: 1 rod; 1 retainer with **rubber** insert.

Description: **Heavy-duty plastic** construction; **angled arm rod**; retainer accepts holder rod to secure door in the "open" position.

R-7237

Door Holder Rod and Retainer

Contents: 1 rod; 1 retainer with **rubber** insert.

Description: **Cadmium plated steel** rod and retainer housing; rubber retainer secures door in the "open" position.

You may wish to stock these related parts: **R-7238**.

R-7238

Door Holder Rod Retainer

Contents: 1 retainer.

Description: **Cadmium plated steel** housing; rubber insert.

R-7047

Camper Door 3-Point Lock

Contents: 1 lock assembly with extension rods; 2 guide brackets; 1 set of installation screws.

Description: 3 point deadlock assembly; **zinc plated steel** construction; lock arms extend to 70-3/4".

You may wish to stock these related parts: **R-7043, R-7044**.

R-7048

Camper Door Spring Prop

Contents: 1 prop with brackets; 1 set of installation screws.

Description: **Plated steel** spring cartridge and brackets; adjustable; heavy duty construction; **34 lbs. lift capacity**.

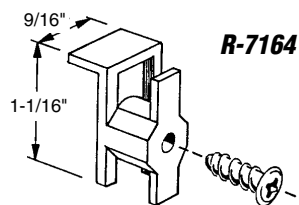
R-7164

Sliding Door Guides

Contents: 4 guides; 4 no. 10 x 1/2" Phillips pan head sheet metal screws.

Description: White plastic sliding door guides for use on Arrow storage buildings manufactured prior to 1977.

You may wish to stock these related parts: R-7165, R-7166.



R-7165

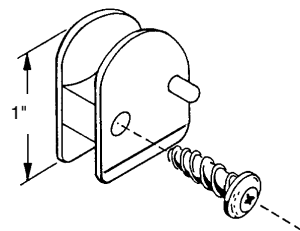
Sliding Door Guides

Contents: 4 guides; 4 no. 10 x 1/2" Phillips pan head sheet metal screws.

Description: Brown plastic sliding door guides for use on Arrow storage buildings manufactured after 1976.

You may wish to stock these related parts: R-7164, R-7166.

R-7165



R-7166

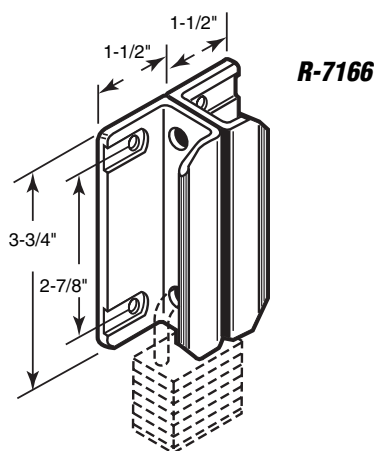
Sliding Door Handle

Contents: 2 handles; 4 no. 10-24 x 1/2" carriage bolts; 4 no. 10-24 hex nuts; 4 lock washers.

Description: Heavy duty black nylon handles; tamper-proof screws; used to secure pairs of sliding doors on storage buildings.

Note: Lock not included.

You may wish to stock these related parts: R-7164, R-7165.



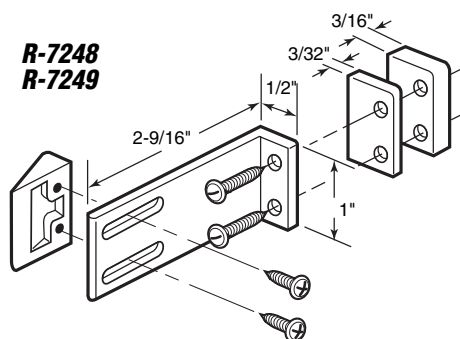
R-7248 (Single door set)
R-7249 (Double door set)

Call for Availability

Refrigerator Door Latch

Contents: 1 set contains- 1 mounting bracket; 1 stop wedge; 4 spacers; 1 set of installation screws.

Description: Durable off-white plastic components; adjustable; positive latching action eliminates the need for other latching devices.

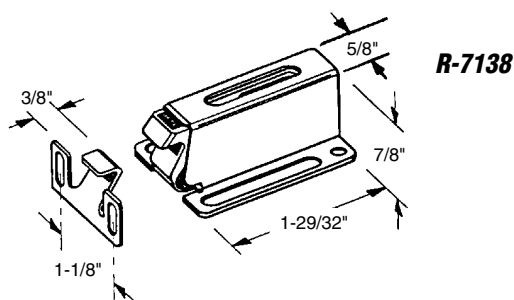


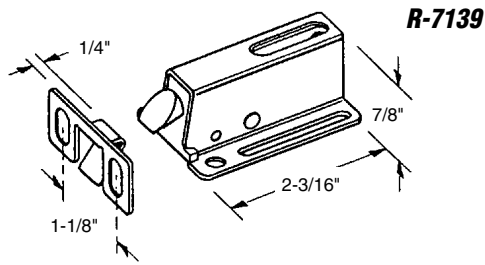
R-7138 (Brown finish)

Cabinet Door Catch

Contents: 1 catch; 1 keeper; 1 set of installation screws.

Description: Steel housing and keeper; nylon catch; positive latching action; frequently used on mobile home cabinets; latch retracts by pulling outside knob.

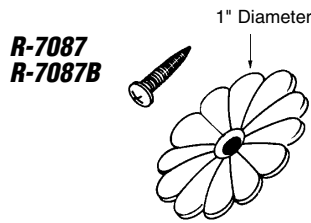




R-7139 (Brown finish)
Cabinet Door Catch

Contents: 1 catch; 1 keeper; 1 set of installation screws.

Description: Steel housing and keeper; nylon catch; positive latching action; frequently used on mobile home cabinets; latch retracts by pulling outside knob.

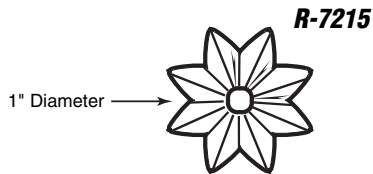


R-7087 (Carded)
R-7087B (Bulk)
Ceiling and Wall Board Rosettes (White)

Contents: Carded- 5 rosettes; 5 no. 6 x 1-1/4" Phillips oval head sheet metal screws.

Bulk- 100 rosettes only.

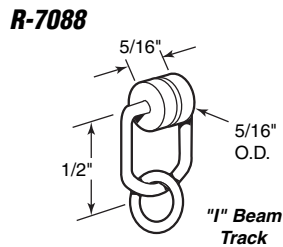
Description: Nylon; petal design; used to secure ceiling panels or wall board in mobile homes.



R-7215 (Clear)
Mirror Rosettes

Contents: 6 rosettes; 6 no. 6 x 1-1/4" Phillips oval head sheet metal screws.

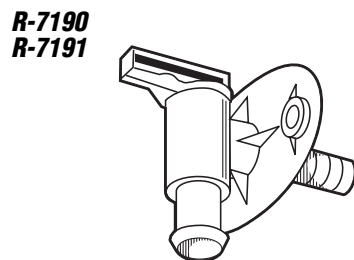
Description: Acrylic; star design; used to secure mirror to wall in mobile homes.



R-7088
Drapery Carrier

Contents: 12 carriers.

Description: RV drapery carriers designed for "I" beam track; nylon rollers, steel hangers; attaches curtain securely to track.



R-7190 (1/2" tube fitting)
R-7191 (3/8" tube fitting)
Drain Valve

Contents: 1 drain valve.

Description: Durable white plastic construction; used to drain built-in water tank.

R-7198 (White)

R-7199 (Brown)

Skirting Vents

Contents: 50 vents per carton.

Description: Durable plastic construction; designed for installation on mobile home skirting; facilitates ventilation.

R-7171

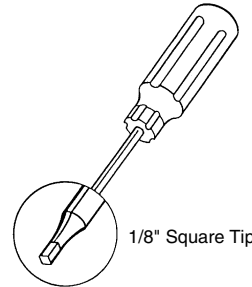
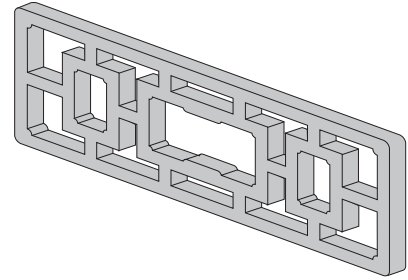
Square Tip Screwdriver

Contents: 1 screwdriver.

Description: Zinc plated steel shank; nylon handle, for use on RV accessories which utilize 1/8" square recess fasteners.

Drawer and cabinet hardware located in the following section, is used in both RV/mobile home and residential applications.

R-7198
R-7199



R-7171

1/8" Square Tip

